



802.11n 2.4/5 GHz 3 dBi Above Ceiling Mount MIMO Omnidirectional Antenna with RPSMA Plug Connectors

This new dual band 2.4/5 GHz above ceiling mount multiple-input and multiple-output (MIMO) omnidirectional antenna is designed to operate with AirTight Networks' 802.11n sensor. The antenna features three integrated 2.4 GHz 3 dBi antennas and three integrated 5 GHz 3 dBi omni antennas in one enclosure for indoor applications. It consists of a high-performance circuit design, Flame Retardant 4 (FR-4) rated material and plenum-rated UL94-V0 pigtails, making it an excellent fire-resistant above ceiling tile mounted antenna. The mounting bar (for above ceiling tile placement.) is included. The antenna is suited for indoor deployments where aesthetics matter.



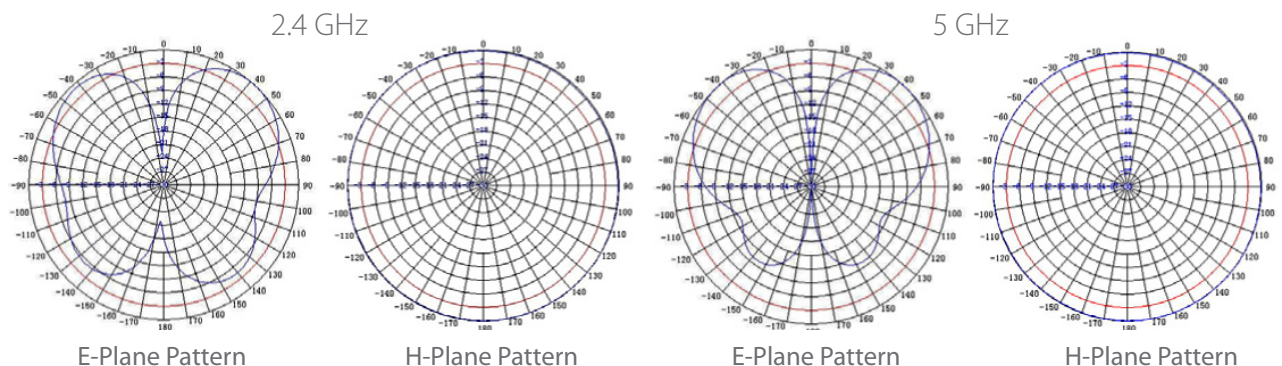
Key Feature

AirTight Networks' 802.11n 2.4/5 GHz 3 dBi Above Ceiling Mount Omnidirectional Antenna is made with:

- Flame Retardant-4 (FR-4) Rated Material
- Plenum Rated UL94-V0 Pigtails

Specifications

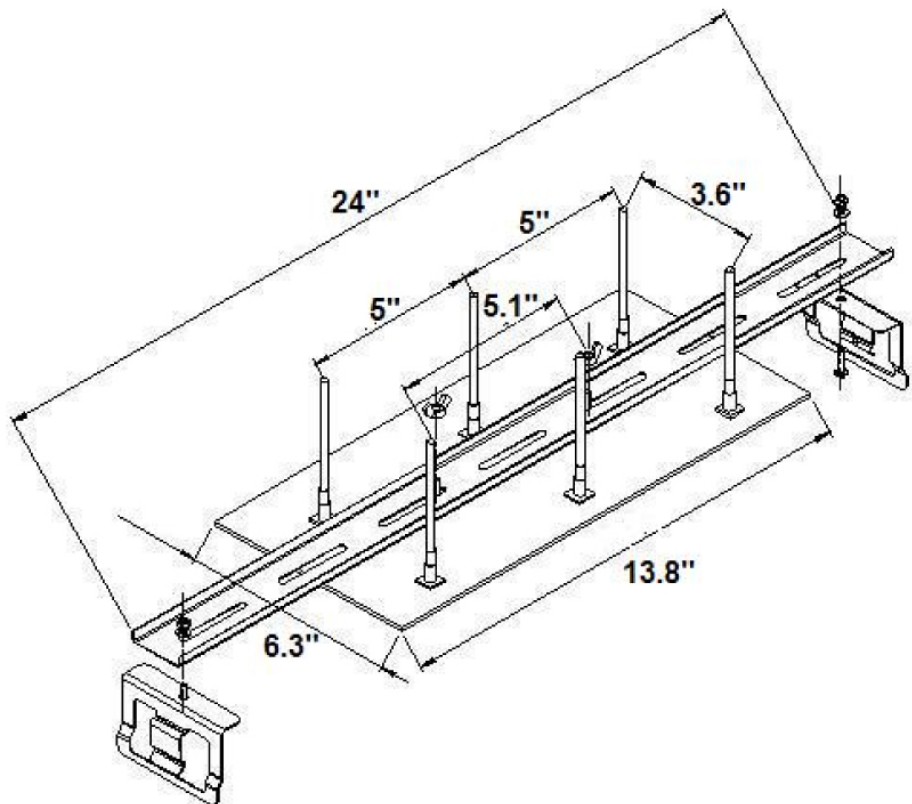
Model	SS-300-AT-AN-60
Frequency Range	2400~2500 / 5150~5850 MHz
Bandwidth	100 / 700 MHz
Gain	3 dBi
Vertical Beamwidth	65° / 50°
Horizontal Beamwidth	360°
VSWR	≤ 2.0
Nominal Impedance	50 Ohms
Polarization	Vertical
Max Power	50 Watts
Connector	RPSMA Plug
Dimensions	13.8" x 6.3" x 1.2"
Weight	2.64 lbs
Operating Temperature Range	-22°F to +158°F
Mounting Style	Above Ceiling Mount
Mounting Bar Dimensions	24" x 1.6" x 0.3"



About AirTight Networks

AirTight Networks is the global leader in wireless security and compliance solutions providing customers best-of-breed technology to automatically detect, classify, locate and block all current and emerging wireless threats. AirTight offers both the industry's leading wireless intrusion prevention system (WIPS) and the world's first wireless vulnerability management (WVM) security-as-a-service (SaaS). AirTight's award-winning solutions are used by customers globally in the financial, government, retail, manufacturing, transportation, education, healthcare, telecom, and technology industries. AirTight owns the seminal patents for wireless intrusion prevention technology with 12 U.S. patents and two international patents granted (UK and Australia), and more than 20 additional patents pending. AirTight Networks is a privately held company based in Mountain View, CA. For more information please visit www.airtightnetworks.com

AirTight Networks 802.11n 2.4/5 GHz 3 dBi Above Ceiling Mount MIMO Omnidirectional Antenna with RPSMA Plug Connectors
Mounting Bracket Information for SS-300-AT-AN-60



The Global Leader in Wireless Security Solutions

AirTight Networks, Inc. 339 N. Bernardo Avenue #200, Mountain View, CA 94043
T +1.877.424.7844 T 650.961.1111 F 650.961.1169 www.airtightnetworks.com info@airtightnetworks.com

© 2009 AirTight Networks, Inc. All rights reserved. AirTight Networks and the AirTight Networks logo are trademarks, and AirTight and SpectraGuard are registered trademarks of AirTight Networks, Inc. All other trademarks mentioned herein are properties of their respective owners. Specifications are subject to change without notice.

